



CERTIFICATE OF REGISTRATION OF DESIGN

Number of Registration

4000739

Date of Registration

5th December 2006

Date of grant of Certificate

15th January 2007

This is to certify that,

in pursuance of and subject to the provisions of Registered Designs Act 1949, the design of which a representation or specimen is attached, had been registered as of the date of registration shown above in the name of

Robert Gerald Kushner

in respect of the application of such design to:

Dancing pole kit

International Design Classification: LOC (07) Cl. 21-02

Registrar of Designs

This is the **FIRST** (for example, first) design out of a total of **ONE** designs

1/5



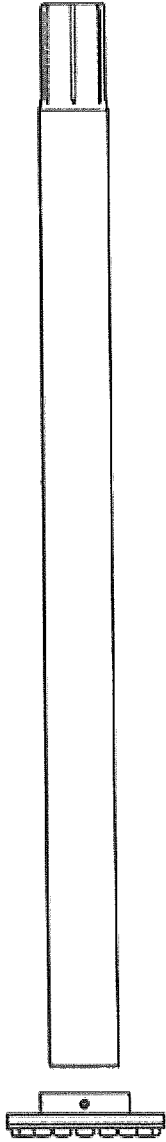
SIDE ELEVATION OF ASSEMBLED POLE

Illustration sheet

This is the **FIRST** (for example, first) design out of a total of **ONE** designs

2/5

BASE POLE SECTION

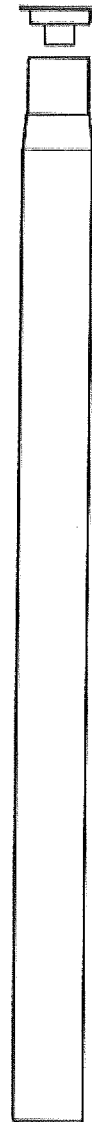


FLOOR PLATE

MIDDLE POLE SECTION



CEILING MOUNT



TOP POLE SECTION

SIDE ELEVATION OF SEPARATED POLE COMPONENTS

Illustration sheet

This is the **FIRST** (for example, first) design out of a total of **ONE** designs

3/5



**SIDE ELEVATION OF TOP POLE
SECTION WITH EXTENSION
RETRACTED**

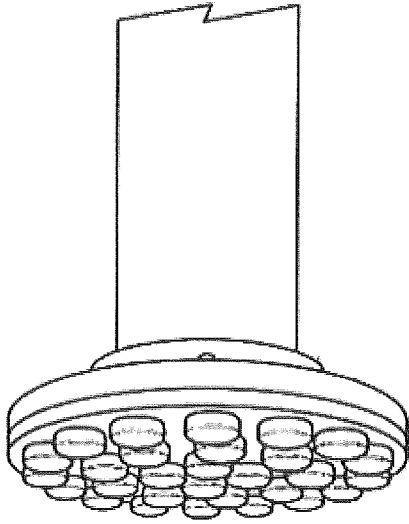


**SIDE ELEVATION OF TOP POLE
SECTION WITH EXTENSION
DEPLOYED**

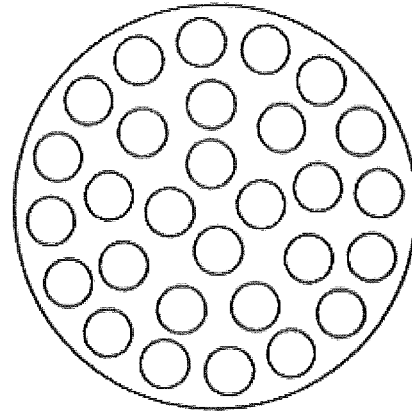
Illustration sheet

This is the **FIRST** (for example, first) design out of a total of **ONE** designs

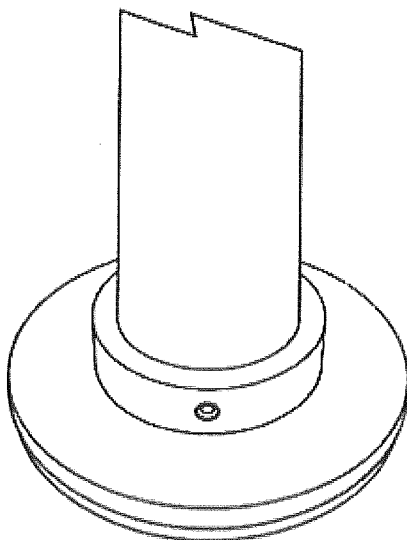
4/5



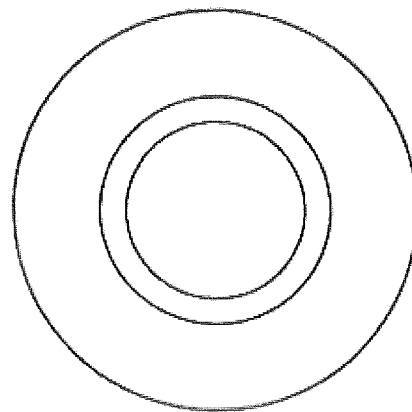
**PERSPECTIVE VIEW OF ATTACHED
FLOOR PLATE
FROM BELOW AND TO ONE SIDE**



**PLAN VIEW OF FLOOR PLATE
FROM BELOW**



**PERSPECTIVE VIEW OF ATTACHED
FLOOR PLATE
FROM ABOVE AND TO ONE SIDE**

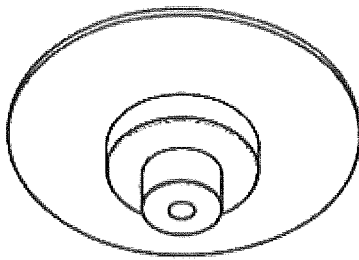


**PLAN VIEW OF FLOOR PLATE
FROM ABOVE**

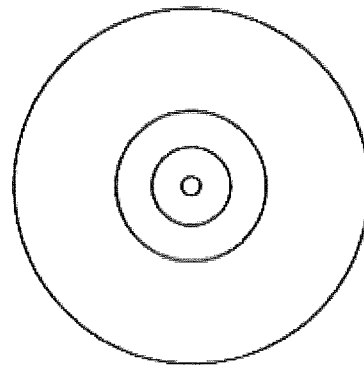
Illustration sheet

This is the **FIRST** (for example, first) design out of a total of **ONE** designs

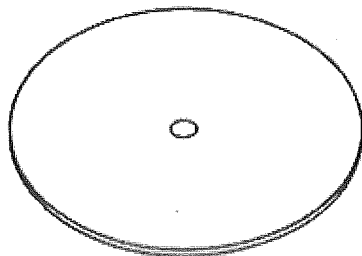
5/5



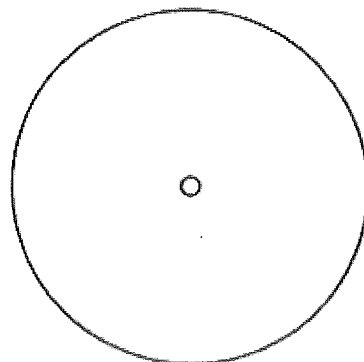
**PERSPECTIVE VIEW OF CEILING MOUNT
FROM BELOW AND TO ONE SIDE**



**PLAN VIEW OF CEILING MOUNT
FROM BELOW**



**PERSPECTIVE VIEW OF CEILING MOUNT
FROM ABOVE AND TO ONE SIDE**



**PLAN VIEW OF CEILING MOUNT
FROM ABOVE**