



## CERTIFICATE OF REGISTRATION OF DESIGN

|Number of Registration 3025922

Date of Registration 13th September 2006

|Date of grant of Certificate 9th November 2006

**This is to certify that,**

in pursuance of and subject to the provisions of Registered Designs Act 1949, the design of which a representation or specimen is attached, had been registered as of the date of registration shown above in the name of

Robert Gerald Kushner

in respect of the application of such design to:

Dancing pole kit

International Design Classification LOC (07) Cl. 21-02

**Registrar of Designs**

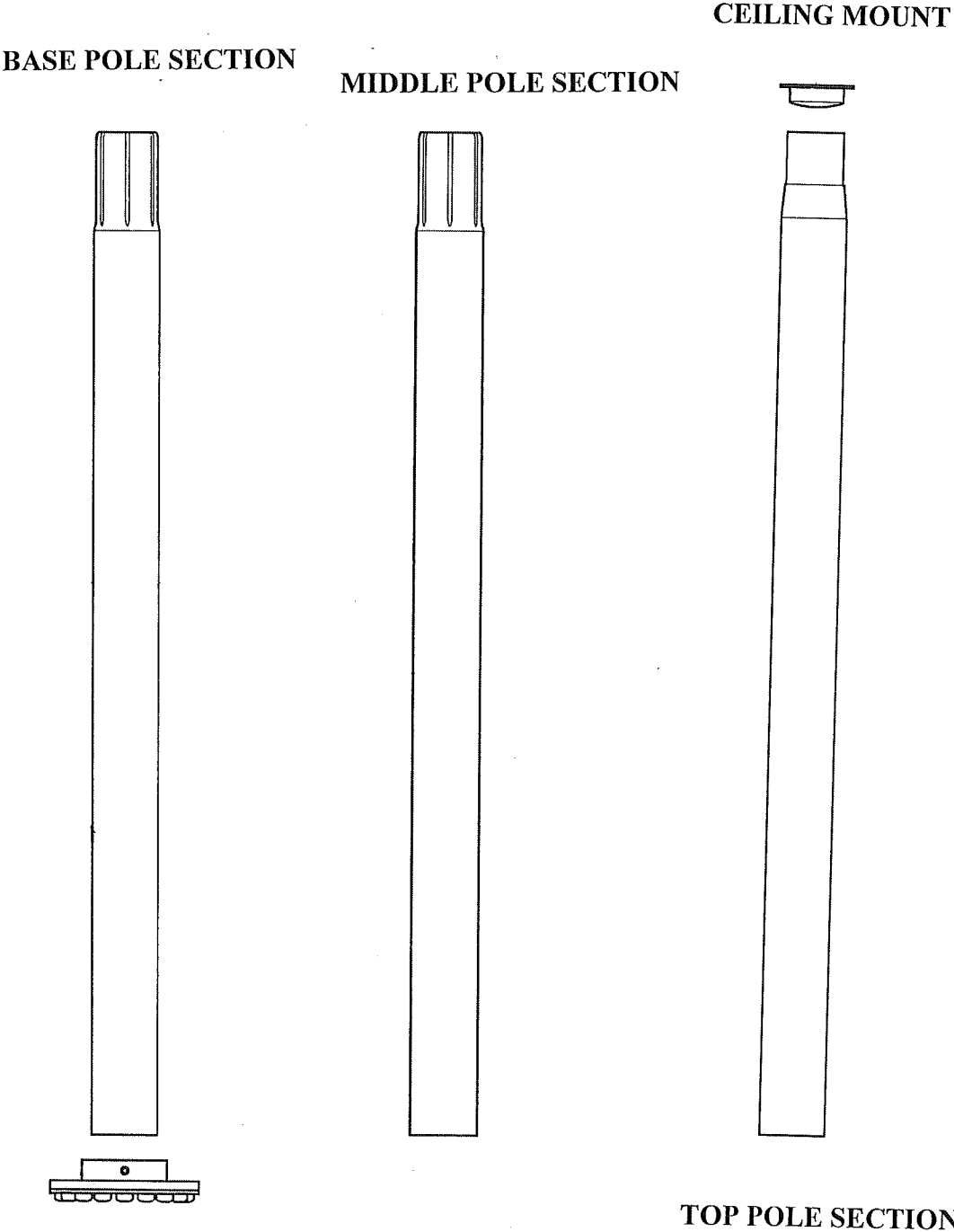
30259221

ROBERT GERALD KUSHNER

1/5



SIDE ELEVATION OF ASSEMBLED POLE



FLOOR PLATE

TOP POLE SECTION

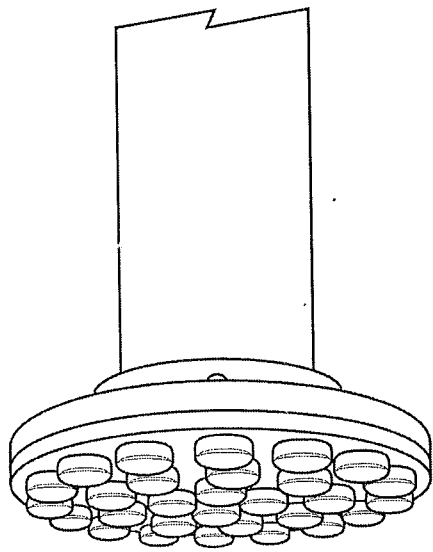
SIDE ELEVATION OF SEPARATED POLE COMPONENTS



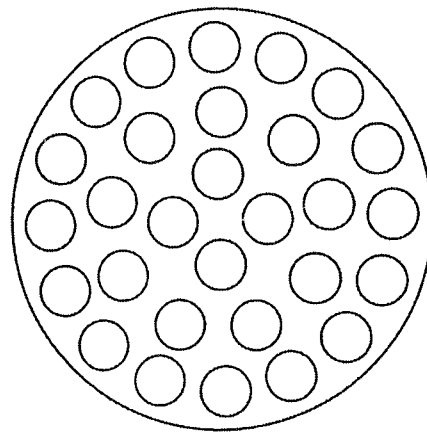
**SIDE ELEVATION OF TOP POLE  
SECTION WITH EXTENSION  
RETRACTED**



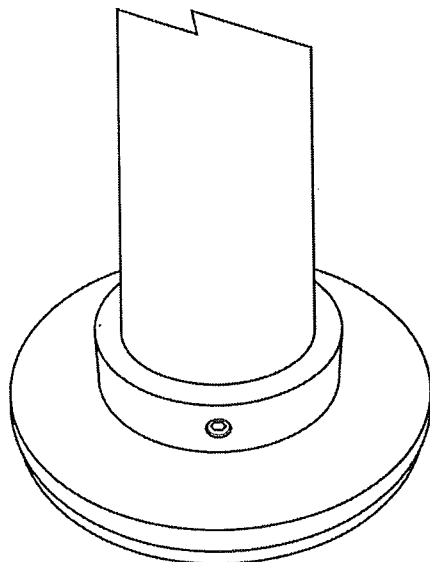
**SIDE ELEVATION OF TOP POLE  
SECTION WITH EXTENSION  
DEPLOYED**



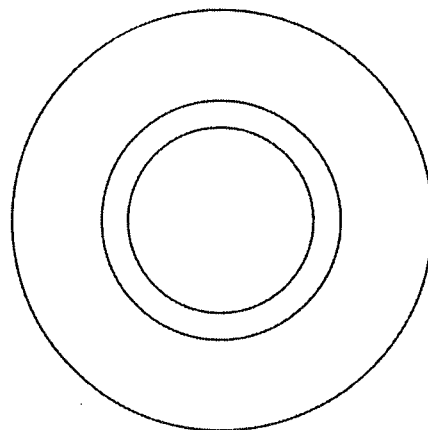
PERSPECTIVE VIEW OF ATTACHED  
FLOOR PLATE  
FROM BELOW AND TO ONE SIDE



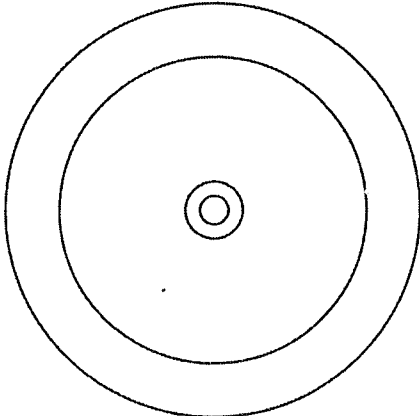
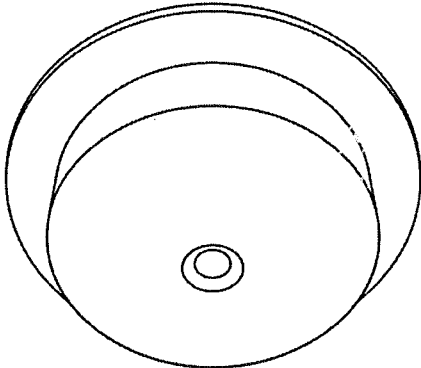
PLAN VIEW OF FLOOR PLATE  
FROM BELOW



PERSPECTIVE VIEW OF ATTACHED  
FLOOR PLATE  
FROM ABOVE AND TO ONE SIDE

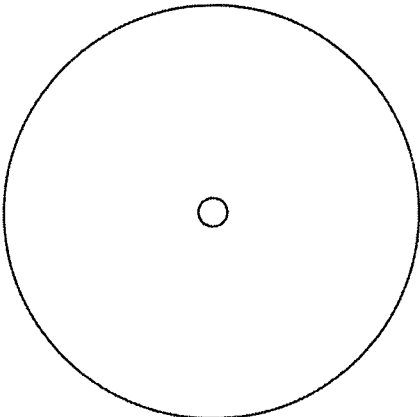
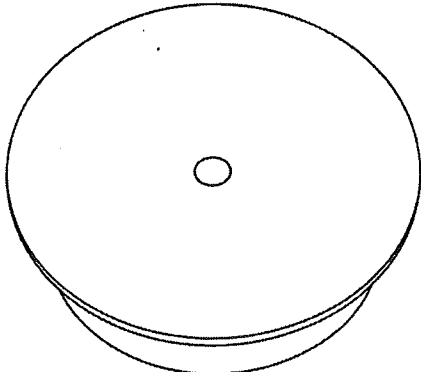


PLAN VIEW OF FLOOR PLATE  
FROM ABOVE



PERSPECTIVE VIEW OF CEILING MOUNT FROM BELOW AND TO ONE SIDE

PLAN VIEW OF CEILING MOUNT FROM BELOW



PERSPECTIVE VIEW OF CEILING MOUNT FROM ABOVE AND TO ONE SIDE

PLAN VIEW OF CEILING MOUNT FROM ABOVE